

NOTES:

1. ALL CASTINGS SHALL CONFORM TO THE REQUIREMENTS OF ASTM A48, CLASS 30B.
2. ROUNDS, FILLETS , TAPERS AND OTHER MINOR MODIFICATIONS TO THE DEMINSIONS SHOWN MAY BE MADE TO FONFORM TO COMMON SHOP PRACTICES.
3. GRIND SMOOTH FINISH BEARING SURFACES.
4. AVAILABLE THROUGH OLYMPIC FOUNDRY INC., PART NO. SM41.



City of Astoria
Public Works Department
 1095 Duane Street

Catch Basin Frame & Grate Detail

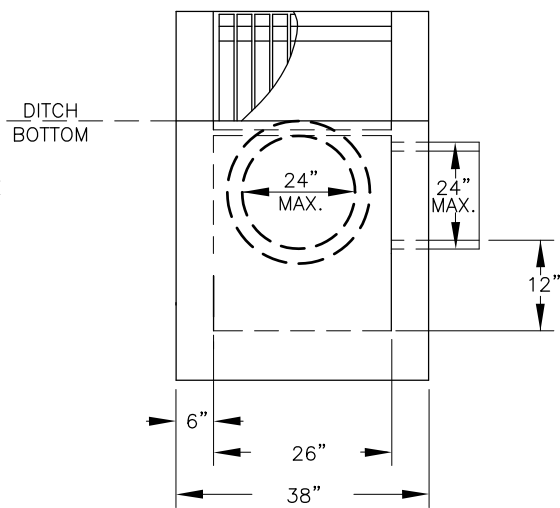
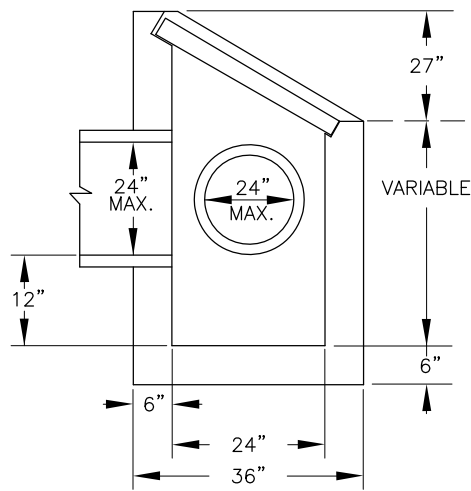
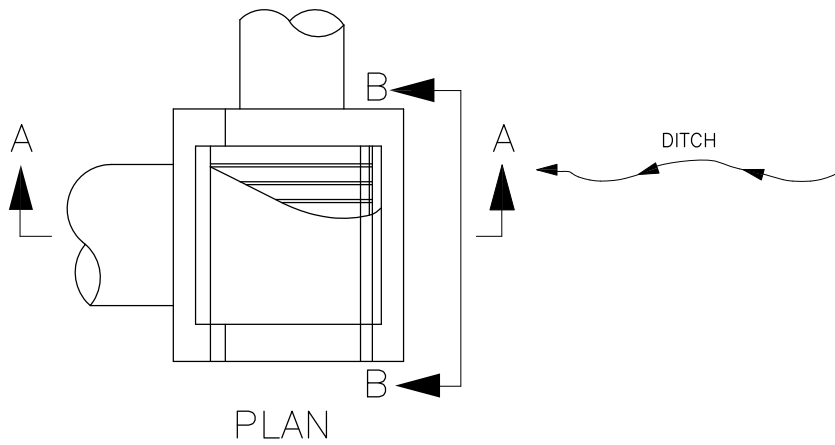
Date Adopt. 11/01/12

Date Rev. 11/16/12

DWG. NO.

Dwg. Name: SD-I CB Frame & Grate.dwg

SD-1



- NOTES:
 1. CONCRETE SHALL ATTAIN A MINIMUM COMPRESSIVE STRENGTH OF 3300 P.S.I. IN 28 DAYS.



City of Astoria
Public Works Department
 1095 Duane Street

Field Inlet Detail

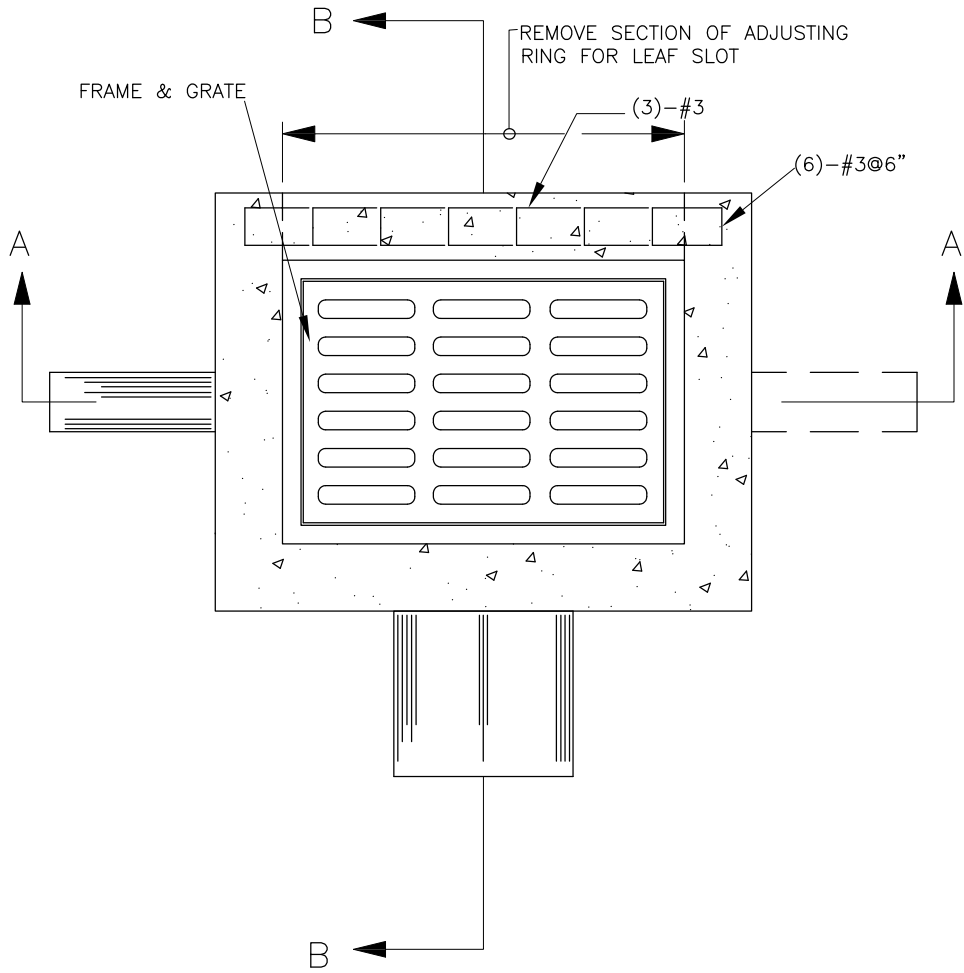
Date Adopt. 11/01/12

Date Rev. ----

DWG. NO.

Dwg. Name: SD-2 Field Inlet.dwg

SD-2



City of Astoria
Public Works Department
 1095 Duane Street

Catch Basin Detail

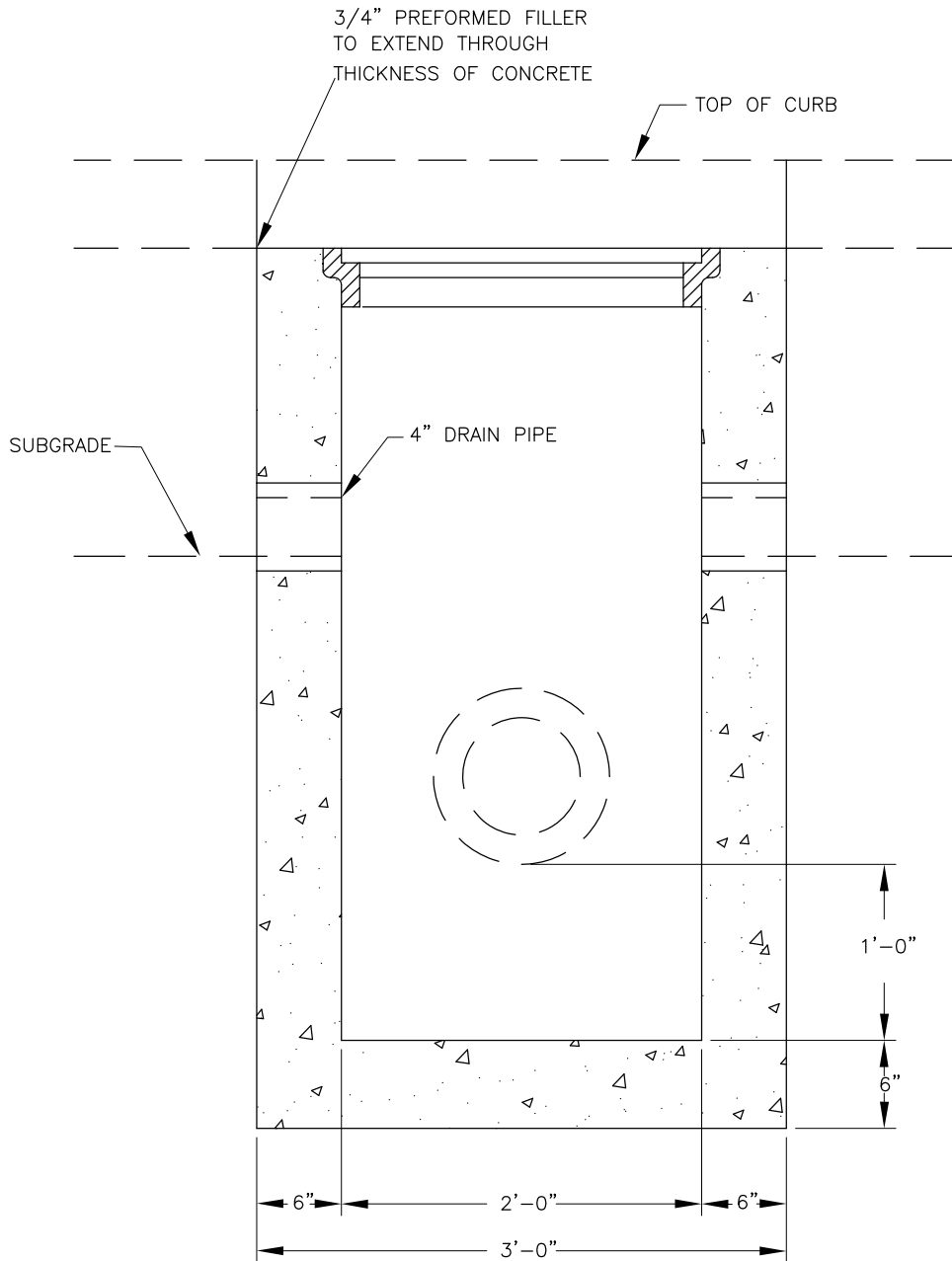
Date Adopt. 11/01/12

Date Rev. ----

DWG. NO.

Dwg. Name: SD-3 Catch Basin.dwg

SD-3



SECTION A

NOTES:

1. SUMP REQUIRED IN CATCH BASINS WITH OUTLET PIPE ONLY. FOR CATCH BASINS WITH INLET AND OUTLET PIPES FORM CHANNELS TO DIRECT FLOW.
2. CATCH BASIN BASE SHALL BE CITY OF SALEM TYPE 1, SHORT 36".



City of Astoria
Public Works Department
 1095 Duane Street

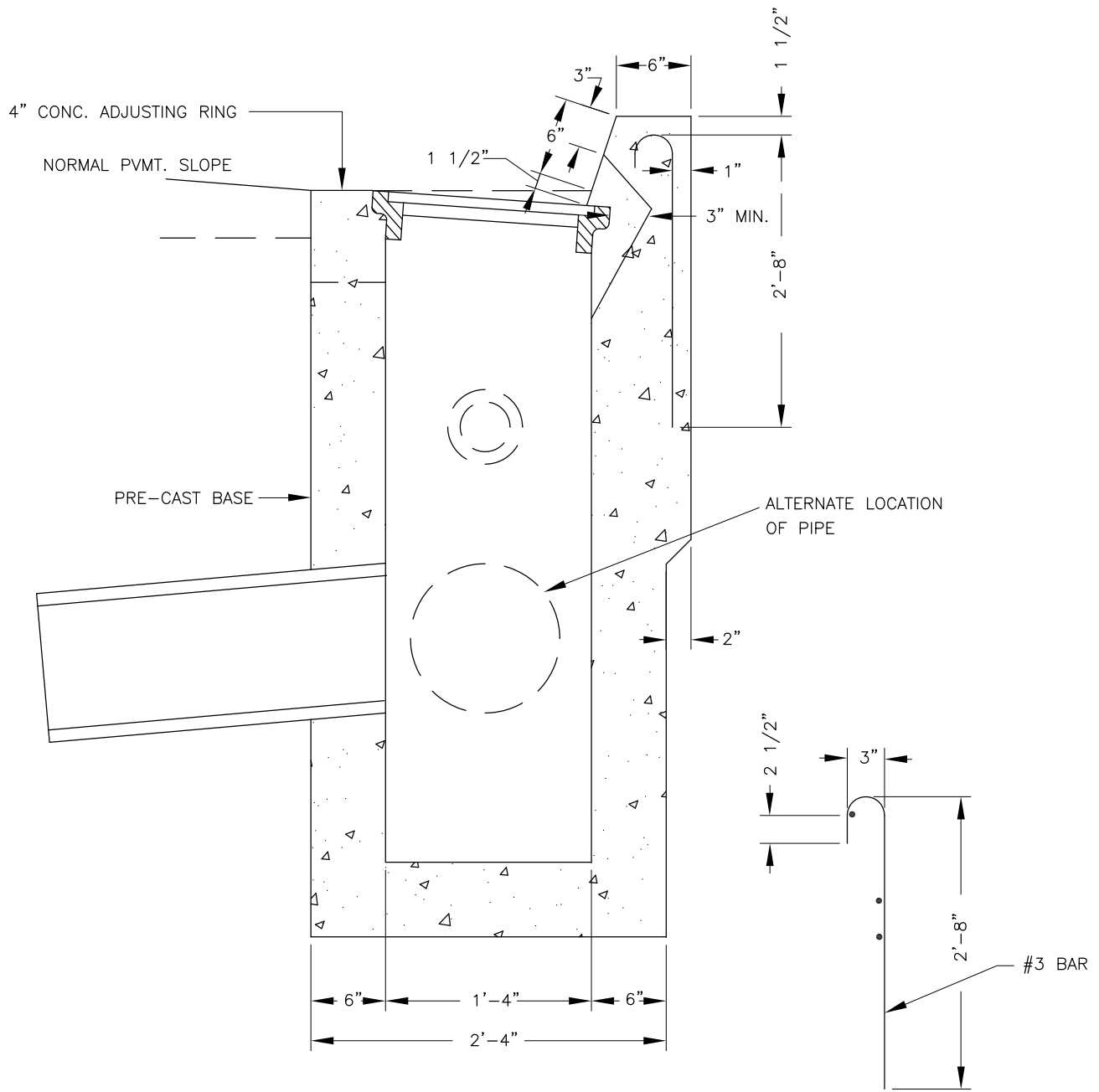
Catch Basin Detail

Date Adopt. 11/01/12 Date Rev. 11/16/12

Dwg. Name: SD-4 Catch Basin.dwg

DWG. NO.

SD-4



SECTION B



City of Astoria
Public Works Department
 1095 Duane Street

Catch Basin Detail

Date Adopt. 11/01/12

Date Rev. ----

DWG. NO.

Dwg. Name: SD-5 Catch Basin.dwg

SD-5